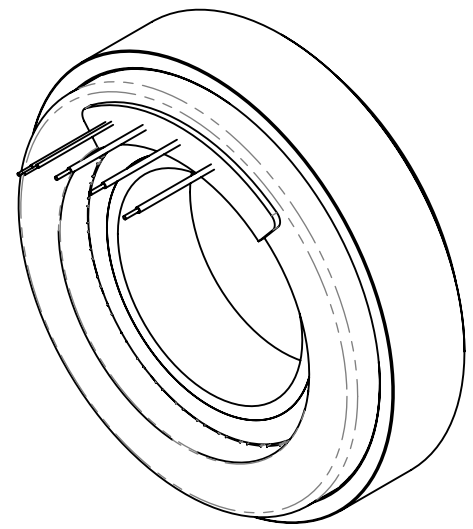
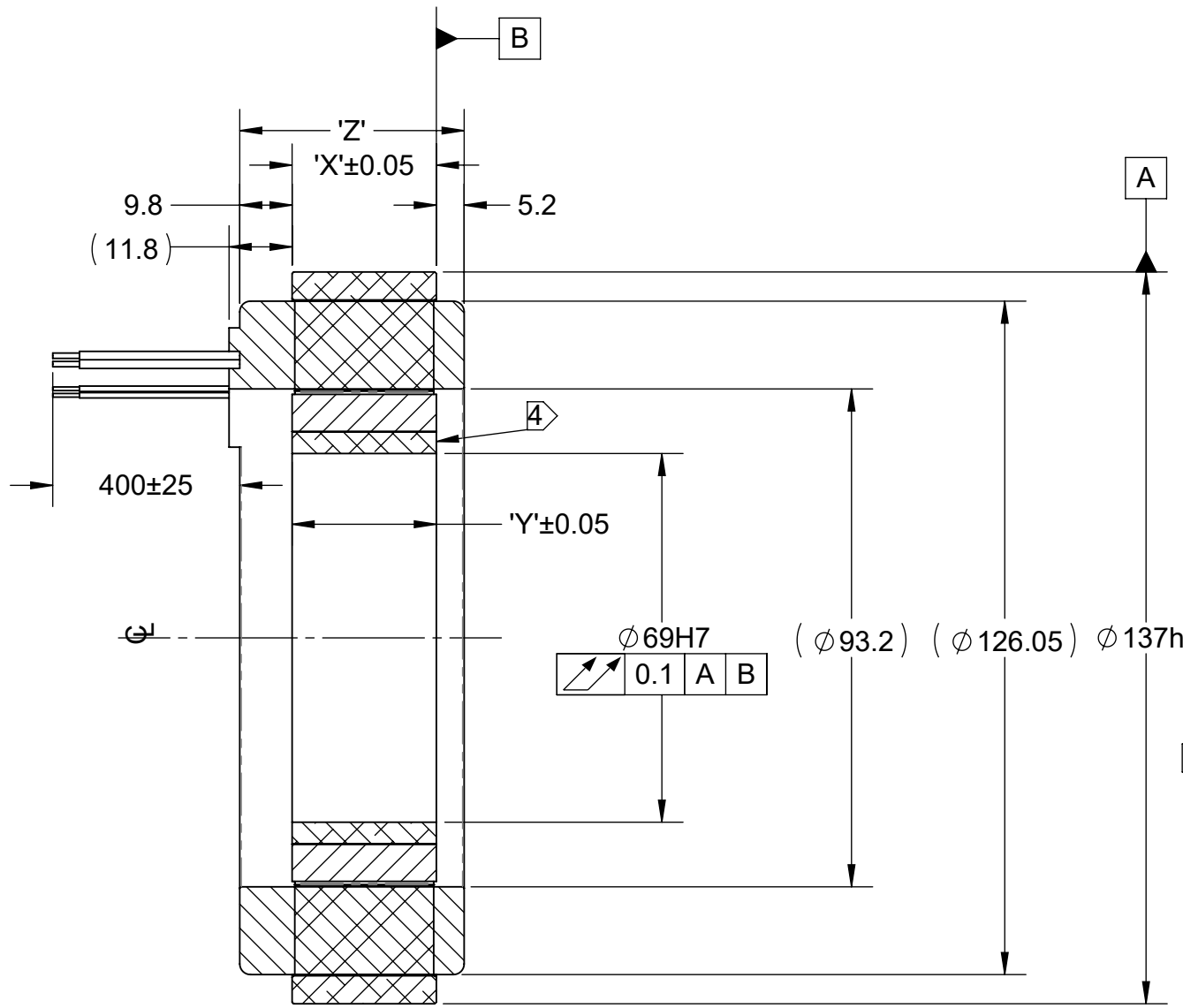
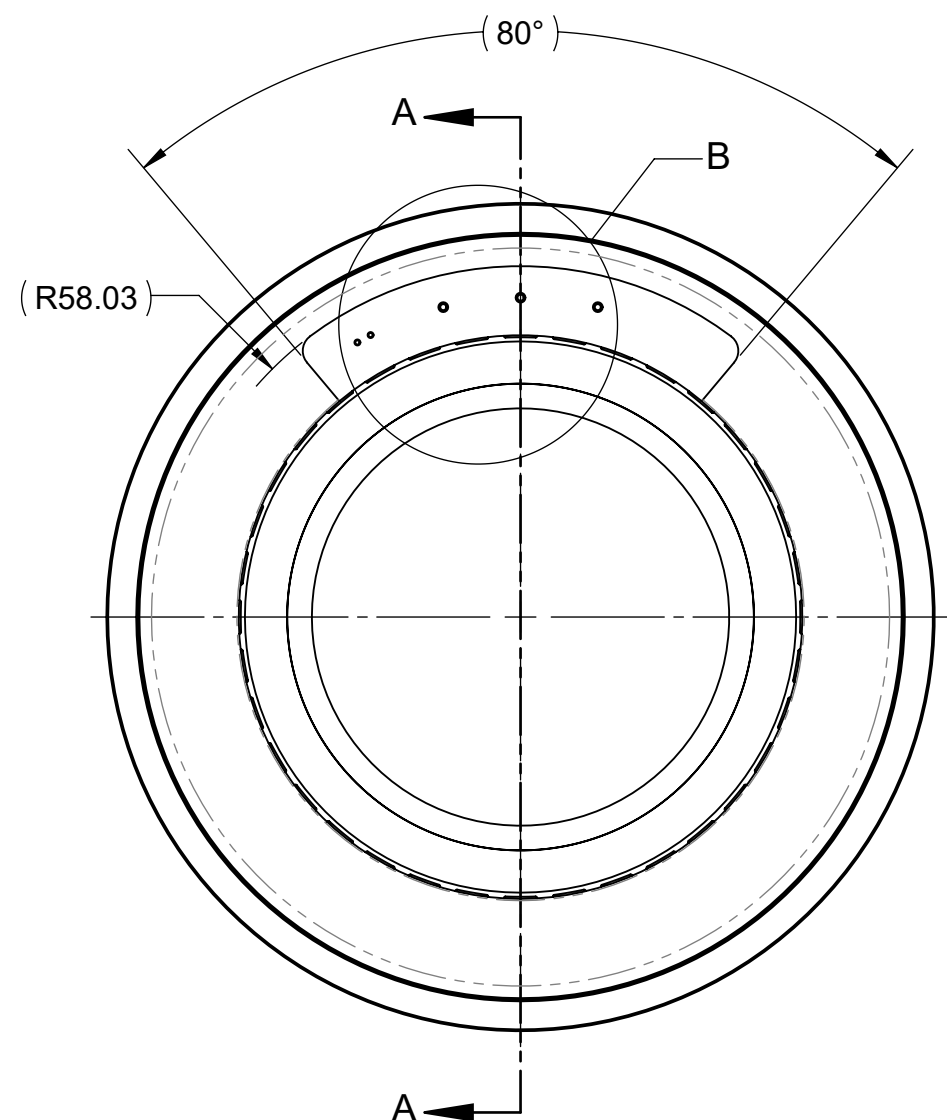


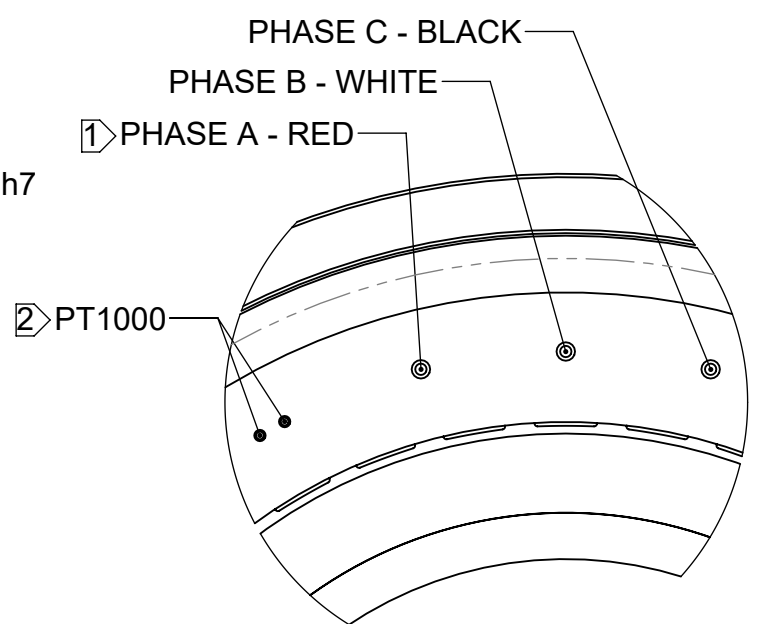
CONFIGURATION TABLE ③

MODEL NO.	'X' (mm)	'Y' (mm)	'Z' (mm)	MASS (g)
LDX-135-013	14.5	14.5	29.5	1119±50
LDX-135-025	27	27	42	1810±50
LDX-135-050	52	52	67	3255±75
LDX-135-075	77	77	92	4698±75
LDX-135-100	102	102	117	6142±100

REVISIONS			DRW	CHK	DRE
REV	DATE	DESCRIPTION	GAR	DDR	PK
A	2023-04-13	INITIAL RELEASE			



PICTORIAL VIEW



DETAIL B
SCALE 1.5 : 1

- NOTES:**
- ① ALL MOTOR WIRES ARE 14 AWG.
 - ② PT1000 WIRES ARE 24 AWG.
 - ③ DEPENDANT ON MODEL NUMBER. SEE CONFIGURATION TABLE. LDX-135-025 SHOWN.
 - ④ ROTOR SURFACE TO BE COPLANAR WITH DATUM B

PROPRIETARY AND CONFIDENTIAL

THE INFORMATION CONTAINED IN THIS DRAWING IS THE SOLE PROPERTY OF GENESIS MOTION SOLUTIONS, LP. ANY REPRODUCTION IN PART OR AS A WHOLE WITHOUT THE WRITTEN PERMISSION OF GENESIS MOTION SOLUTIONS IS PROHIBITED. COPYRIGHT GENESIS MOTION SOLUTIONS, LP. ALL RIGHTS RESERVED.

MATERIAL: NONE
FINISH: NONE

INTERPRET GEOMETRIC TOLERANCES AS PER ASME Y14.5-2009

UNLESS OTHERWISE SPECIFIED

1. DIMENSION UNITS: mm
2. TOLERANCES: SURFACE FINISH: 3.2/ ∇ , ANGULAR: $\pm 2^\circ$, LINEAR: ± 0.2

3. REMOVE BURRS & BREAK SHARP EDGES 0.3 MAX
4. INTERNAL CORNERS MODELED AS SHARP TO BE R0.2 MAX

3RD ANGLE		
MASS	③	TITLE
INITIAL DRE	PK	SCALE
PART NO	CONFIGURABLE	1:1.25
SIZE	B	DWG NO
		107682
REV	A	SHEET
		1 of 1