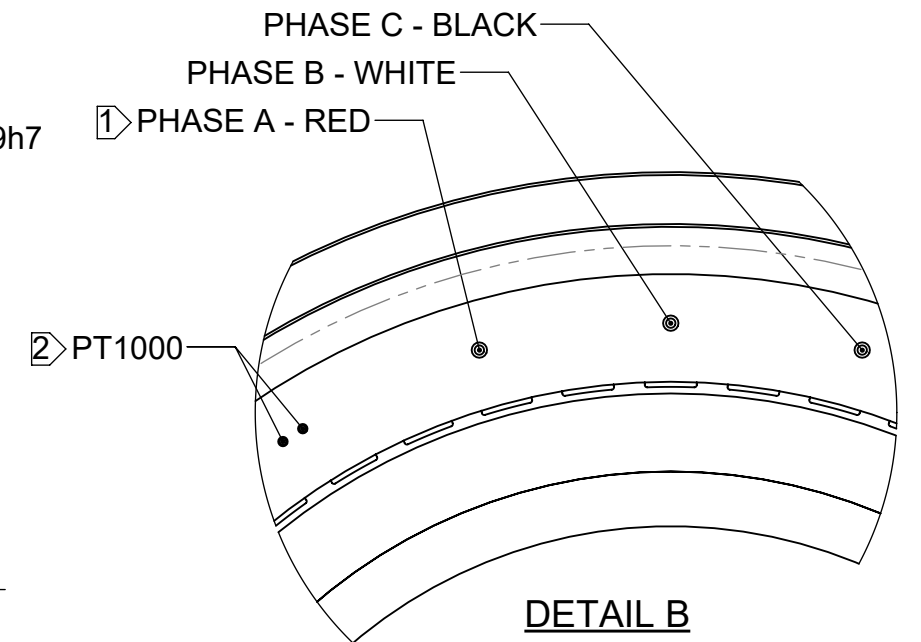
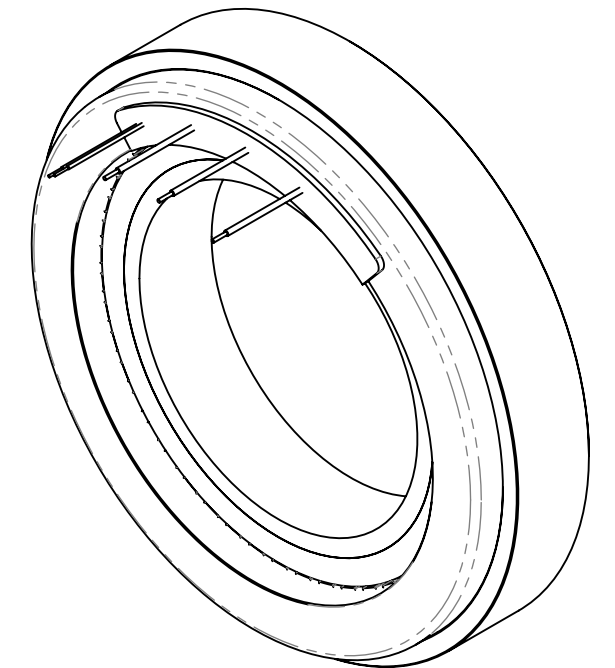
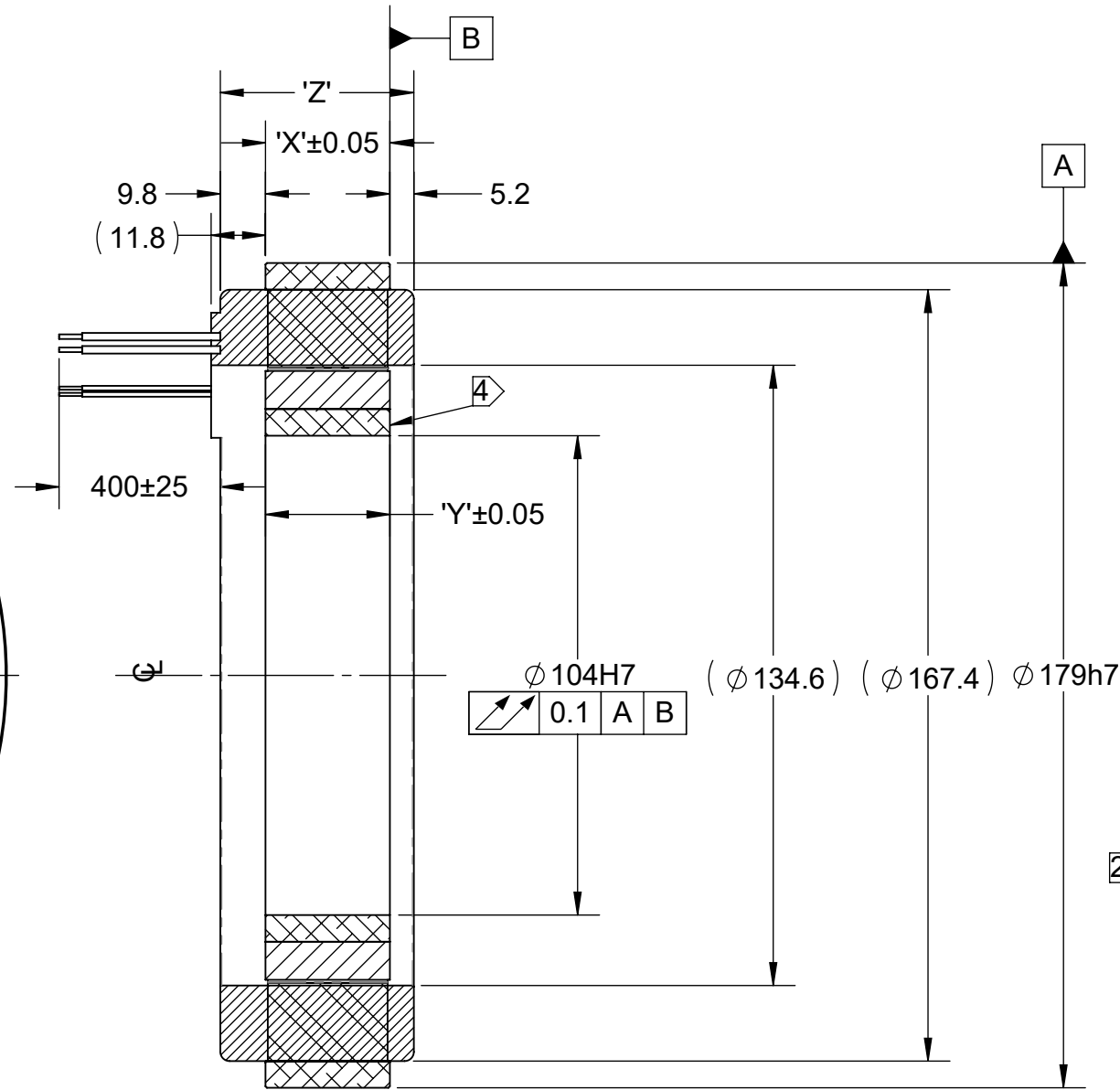
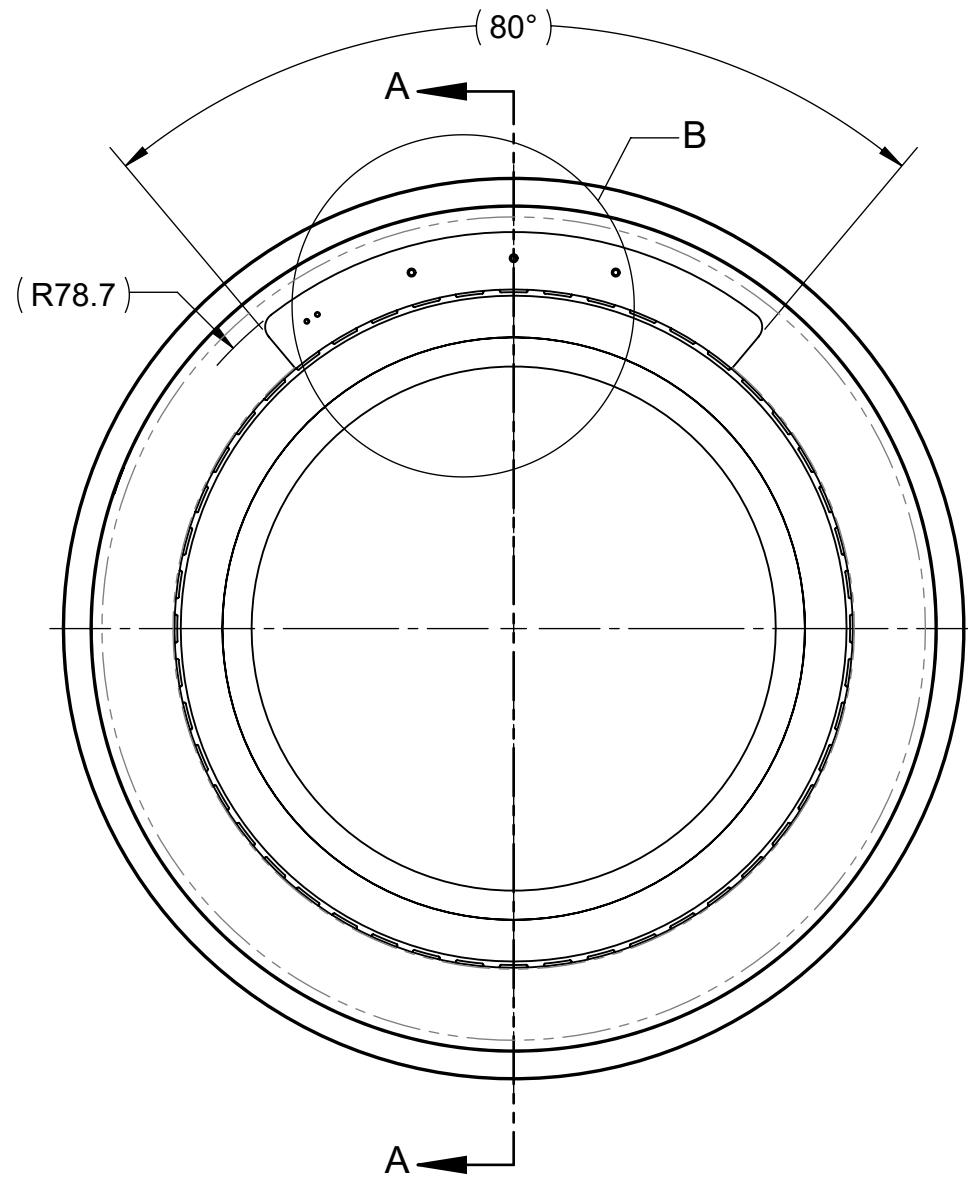


CONFIGURATION TABLE ③

MODEL NO.	'X' (mm)	'Y' (mm)	'Z' (mm)	MASS (g)
LDX-180-013	14.5	14.5	29.5	1570±50
LDX-180-025	27	27	42	2654±75
LDX-180-050	52	52	67	4832±75
LDX-180-075	77	77	92	6949±100
LDX-180-100	102	102	117	9104±125

REVISIONS			DRW	CHK	DRE
REV	DATE	DESCRIPTION	GAR	DDR	PK
A	2023-04-13	INITIAL RELEASE			



- NOTES:**
- ① ALL MOTOR WIRES ARE 14 AWG.
 - ② PT1000 WIRES ARE 24 AWG.
 - ③ DEPENDANT ON MODEL NUMBER. SEE CONFIGURATION TABLE. LDX-180-025 SHOWN.
 - ④ ROTOR SURFACE TO BE COPLANAR WITH DATUM B.

<p>PROPRIETARY AND CONFIDENTIAL</p> <p>THE INFORMATION CONTAINED IN THIS DRAWING IS THE SOLE PROPERTY OF GENESIS MOTION SOLUTIONS, LP. ANY REPRODUCTION IN PART OR AS A WHOLE WITHOUT THE WRITTEN PERMISSION OF GENESIS MOTION SOLUTIONS IS PROHIBITED. COPYRIGHT GENESIS MOTION SOLUTIONS, LP. ALL RIGHTS RESERVED.</p>	<p>MATERIAL NONE</p>	<p>3RD ANGLE</p>		
	<p>FINISH NONE</p>			
	<p>INTERPRET GEOMETRIC TOLERANCES AS PER ASME Y14.5-2009</p>	<p>UNLESS OTHERWISE SPECIFIED</p> <p>1. DIMENSION UNITS: mm</p> <p>2. TOLERANCES: SURFACE FINISH 3.2/ ANGLAR: ±2° LINEAR: ±0.2</p>	<p>MASS ③</p>	<p>TITLE MOTOR INTERFACE, LDX 180-XXX</p>
	<p>3. REMOVE BURRS & BREAK SHARP EDGES 0.3 MAX</p> <p>4. INTERNAL CORNERS MODELED AS SHARP TO BE R0.2 MAX</p>	<p>INITIAL DRE PK</p> <p>SCALE 1:1.5</p>	<p>PART NO CONFIGURABLE</p> <p>SIZE DWG NO B 107694</p>	<p>REV A</p> <p>SHEET 1 of 1</p>